

## MP310U Mixer Amplifier with USB & Tuner



### *Features*

- 100V & 4-16  $\Omega$  , rated power 120W
- Support USB / SD / FM radio, with built-in chime
- 4 MIC inputs, Mic 1 with priority and muting fun
- 3 AUX line input & 1 AUX line output for power extension
- Each AUX & Mic input with individual volume

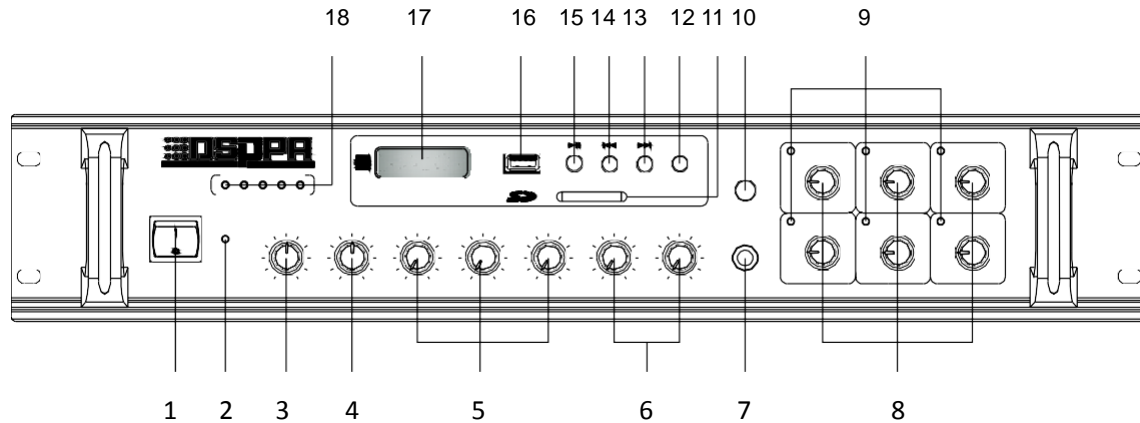
### *Description*

This mixing amplifier is rated at 120W. 100V and 4-16  $\Omega$  speaker output are provided. There are 3 unbalanced microphones inputs and 3 aux inputs. Bass and treble controls and master volume control are provided. This amplifier can be applied to different occasions, such as supermarket, classroom, etc. Extensive protection from short-circuit, overload and high temp is ensured. Automatic cooling system ensures the extreme quite sound system.

## Specification

Model	MP-310U
Rated Output	120W
Output Regulation	Less than 3dB, from off-load to full load
Input sensitivity	MIC: 3.0mV( $\pm 0.5$ mV)
	LINE: 300mV( $\pm 50$ mV)
Frequency Response	80Hz-16kHz ( $\pm 3$ dB)
Distortion	Less than 1% (at 1kHz, 1/3 rated output voltage)
Ratio of Signal to Noise	MIC: more than 71dB
	LINE: more than 85dB
Tone	Bass: $\pm 10$ dB (at 100Hz)
	Treble: $\pm 10$ dB (at 10kHz)
Protection	DC voltage; overload; short-circuit.
Mute	Input signals from MIC 1 override other input signals
Power Requirements	AC 220-240V/50-60Hz
Power Consumption	250W
Outer Packing Size(mm)	(L $\times$ W $\times$ H)520 $\times$ 430 $\times$ 195
Unit Size (mm)	(L $\times$ W $\times$ H)418 $\times$ 355 $\times$ 88
Gross Weight	13.5kg
Net Weight	11.5kg

## FRONT PANEL

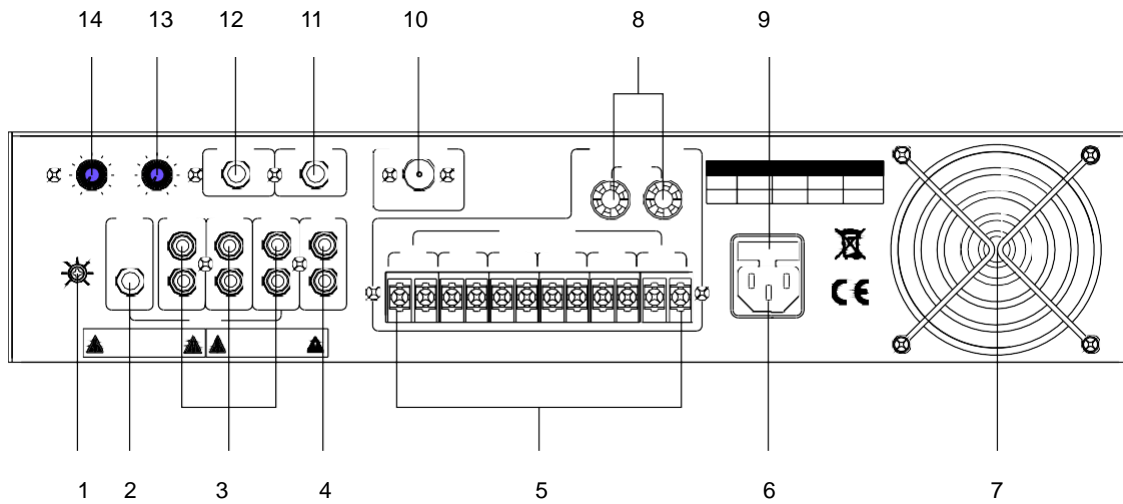


- |  |                                    |
|--|------------------------------------|
| 1. Power Switch                        | 11. MP3 SD Jack                    |
| 2. LED Power Indicator                 | 12. MP3/tuner select key           |
| 3. Bass Adjustment Button              | 13. MP3/tuner status operation key |
| 4. Treble Adjustment Button            | 14. MP3/tuner status operation key |
| 5. Line Input Volume Adjustment Button | 15. MP3/tuner status operation key |
| 6. MIC Input Volume Adjustment Button  | 16. MP3 USB Jack                   |
| 7. MIC 1 Priority Input Jack           | 17. MP3/tuner status display       |
| 8. Zone Volume Adjustment Button (1-6) | 18. Five-unit LED Level Meter      |
| 9. Zone Level Indicator                |                                    |
| 10. Chime Button                       |                                    |

### Note:

When all five units of the LED level meter remain lit, it indicates that the sound is distorted. In such case, adjusting each volume adjustment button until LED unit 4 (+8dB) and LED unit 5 (+10dB) flash.

## REAR PANEL



1 Mute control Button

2 MIC 2 Input Jack

3 Line Input Jack 1, 2, 3

5 6-zone Output

6 AC Power Source Insert

7 Fan Exhaust Window

11 MIC4 Input Jack

12 MIC3 Input Jack

14 MIC3 Input Volume Button

4 AUX Output Jack

(Link with another amplifier or recording equipment)

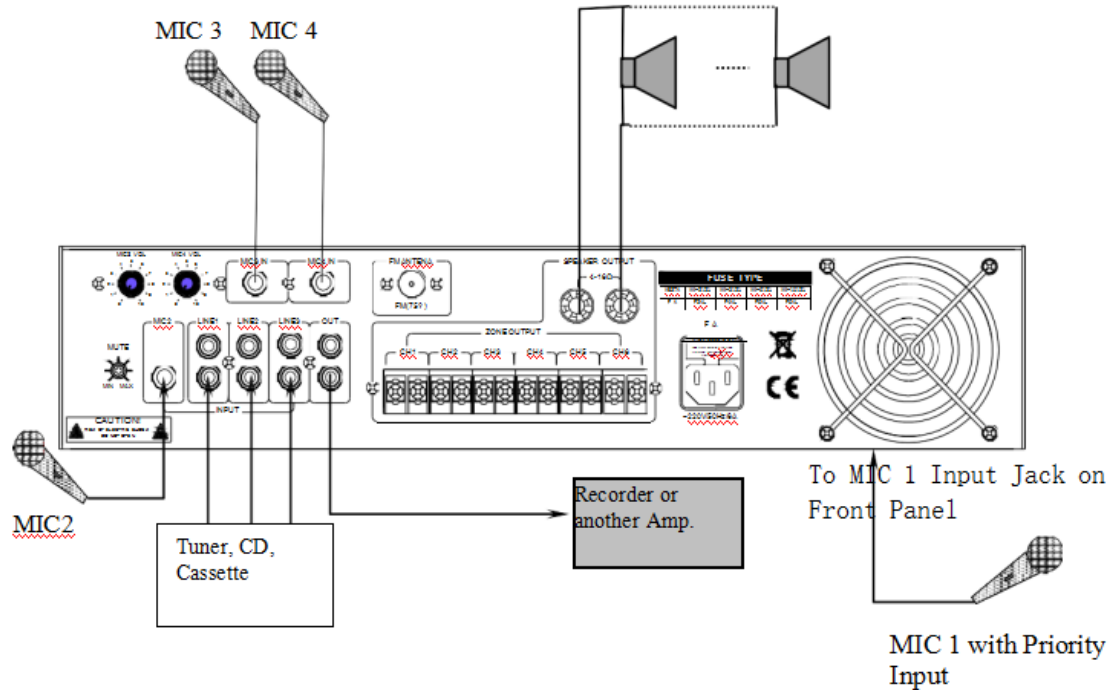
8 Speaker Output Terminal

9 AC Power Fuse

10 FM antenna Jack

13 MIC4 Input Volume Button

**CONNECTIONS** (without single-zone outputs)



**CONNECTIONS** (without multi-zone outputs)

